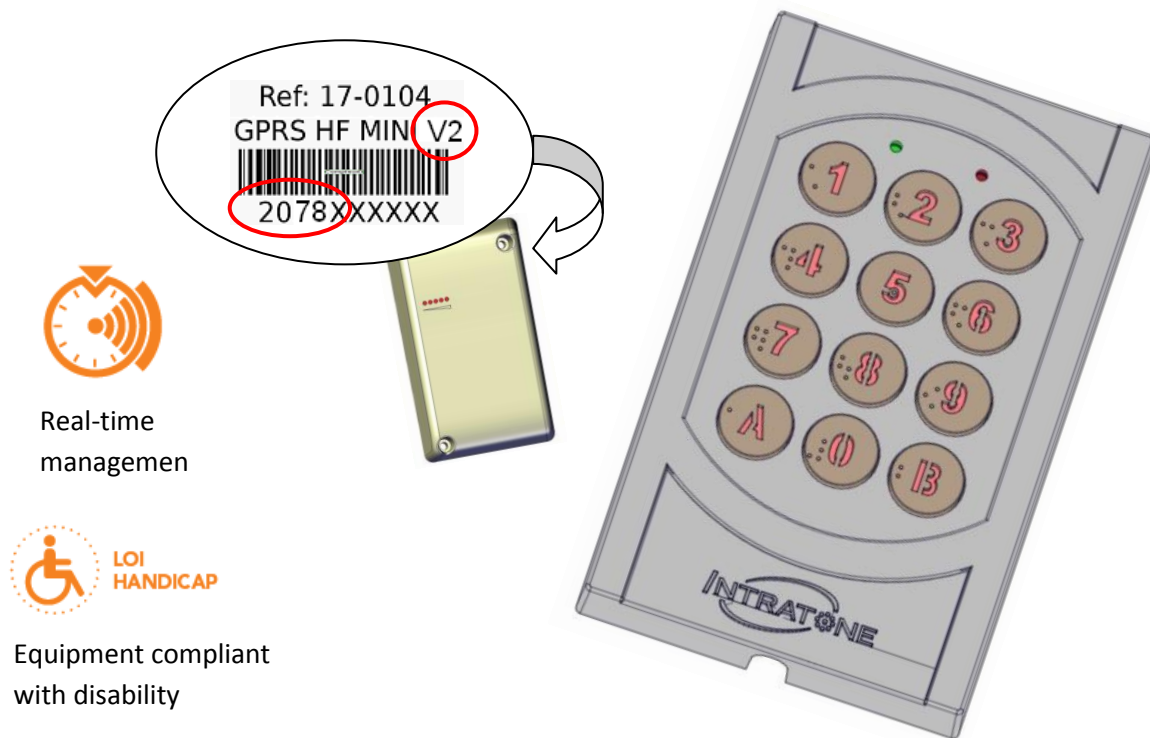


INSTALLATION AND USE

CODED KEYPAD (04-0107)



Keypad with 12 **backlit** keys.

Indoors or outdoors, surface mounted, compact design.

Real-time updating.

Compatible with the new **Mini RF GPRS V2 system**.

Visual and audio **confirmation of opening** (Green LED and buzzer)

On the Intratone management site, you can:

- Create up to 80 codes which will open 1 to 2 doors
- Create time slots
- Define up to 2 open-access periods
- Check that your Mini RF GPRS system is V2.

Up to **2 keypads per module**, which will use the same codes.

SUMMARY

Dimensions and description	2
Keypad installation	4
Adding or replacing and additional keypad	5
Registration on the management site	6
Troubleshooting and FAQ	7
Certificate of compliance	8
Certificate of compliance	9

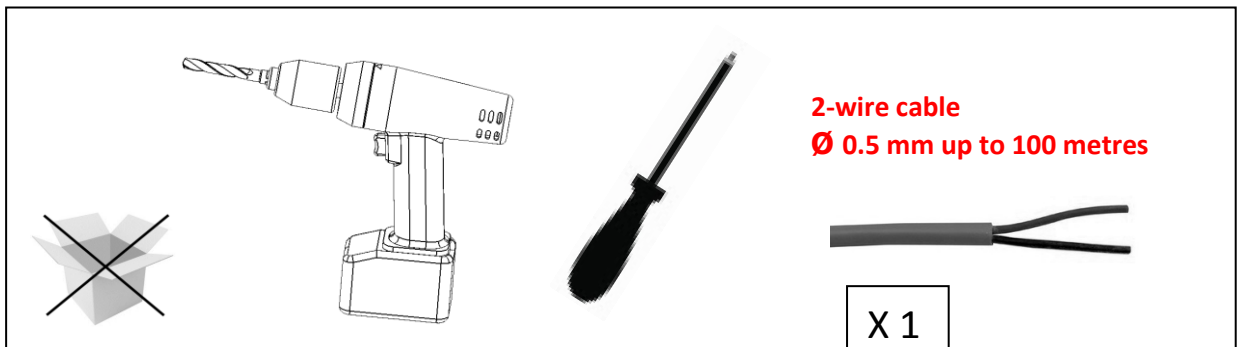
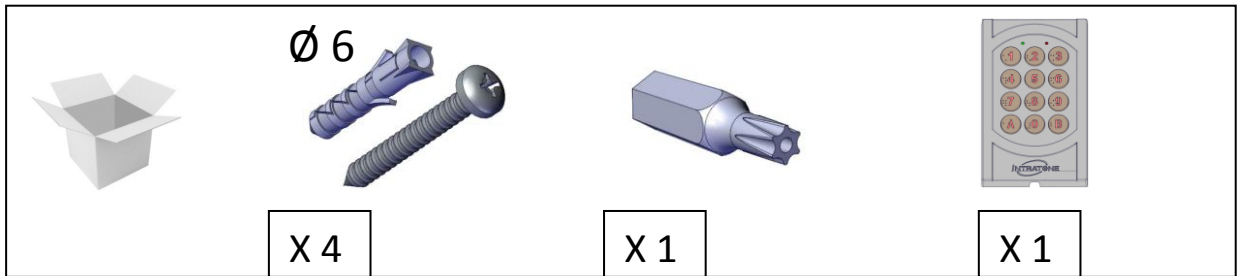
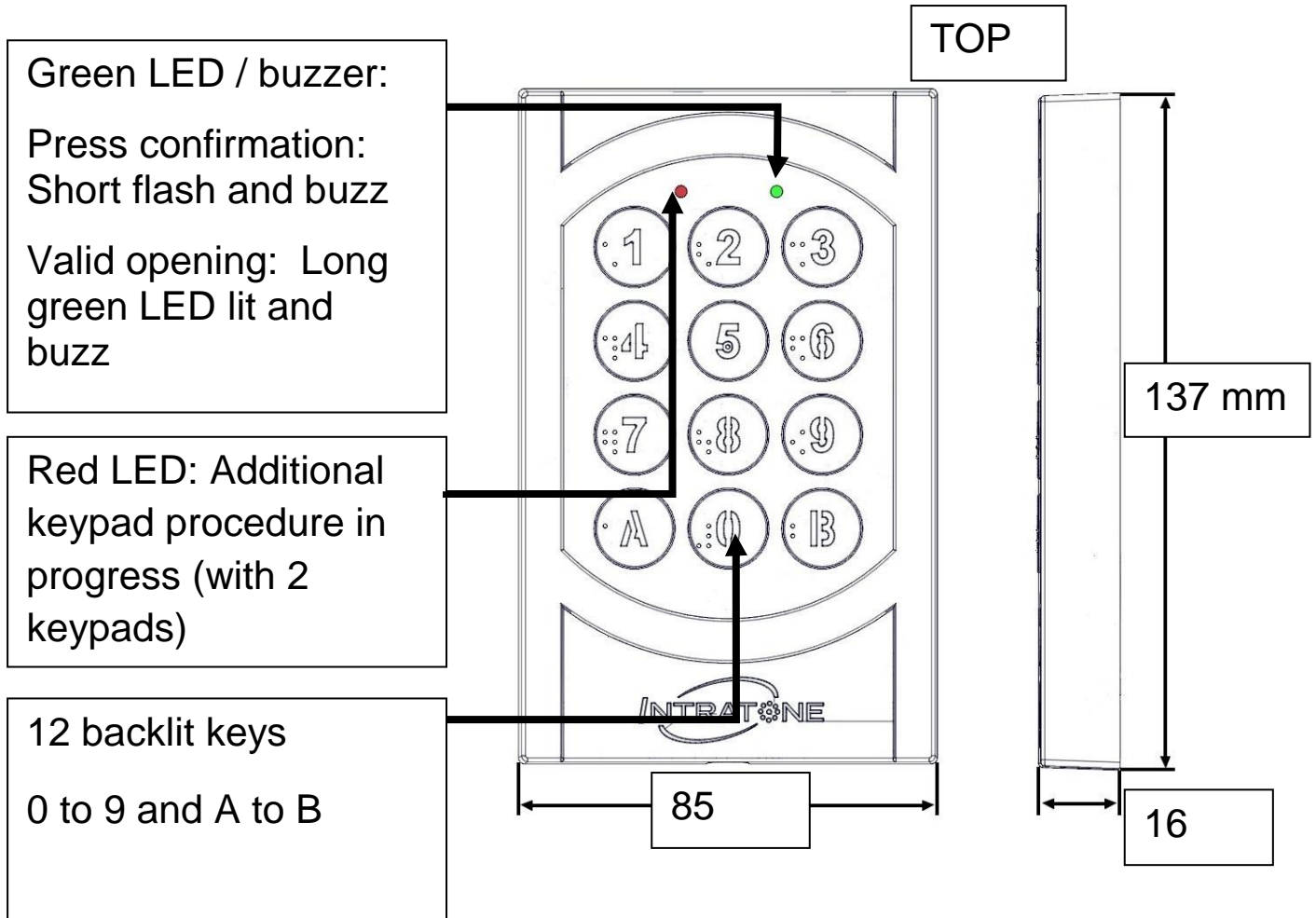


WARNINGS:

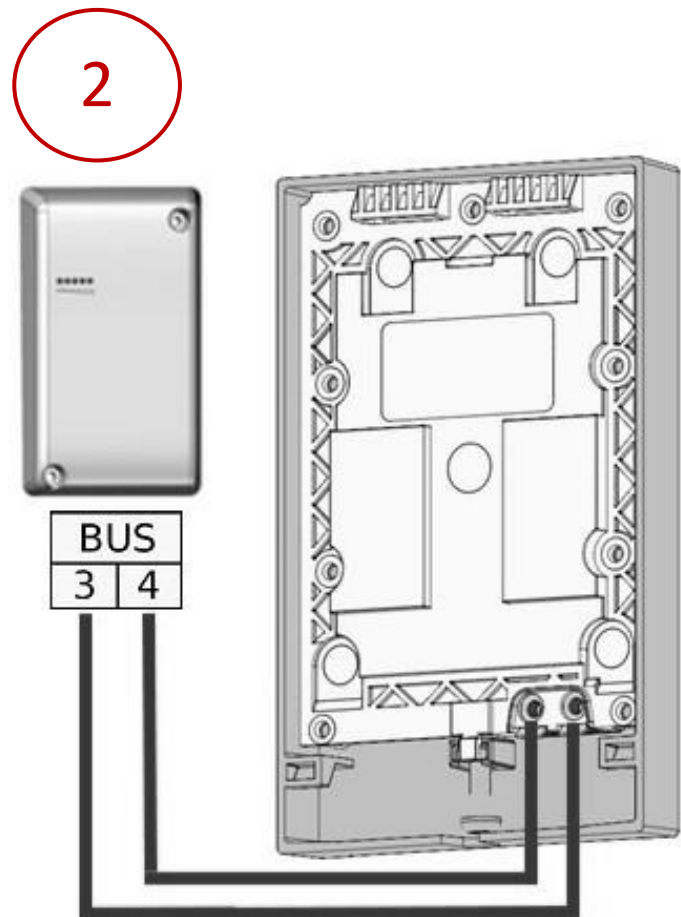
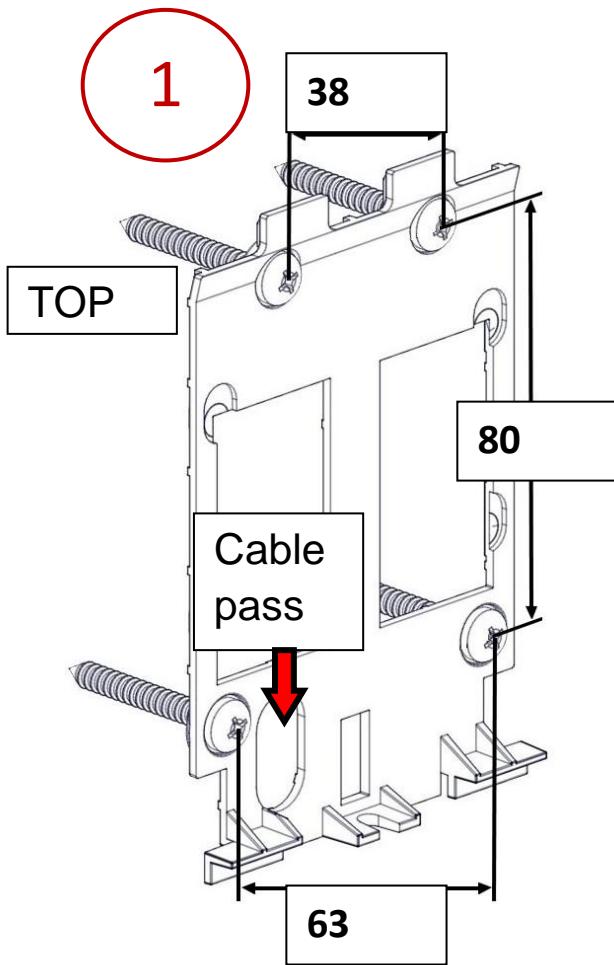
*The Mini RF GPRS V2 unit is equipped with special voltage-free **1A relays** for garage or carpark gates. To control an electric or magnet lock, it will be necessary to fit an additional 5A relay, not supplied.*

Never connect directly to the 220V supply.

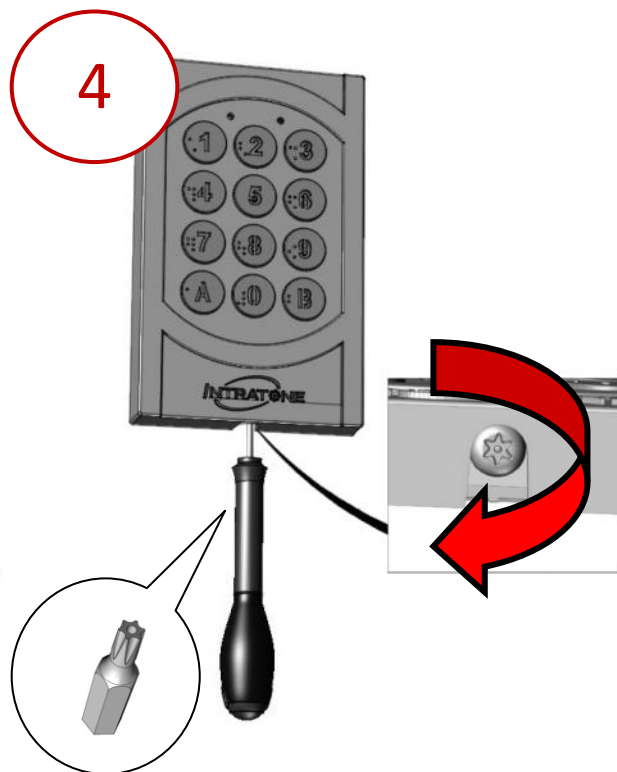
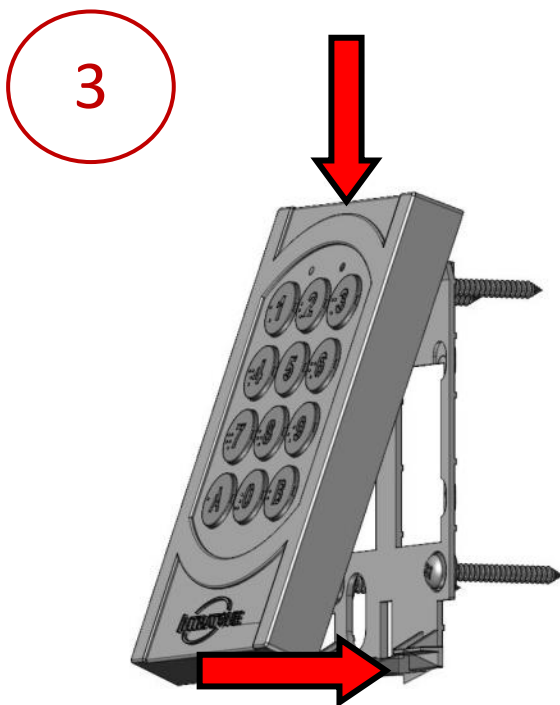
DIMENSIONS AND DESCRIPTION:



KEYPAD INSTALLATION:



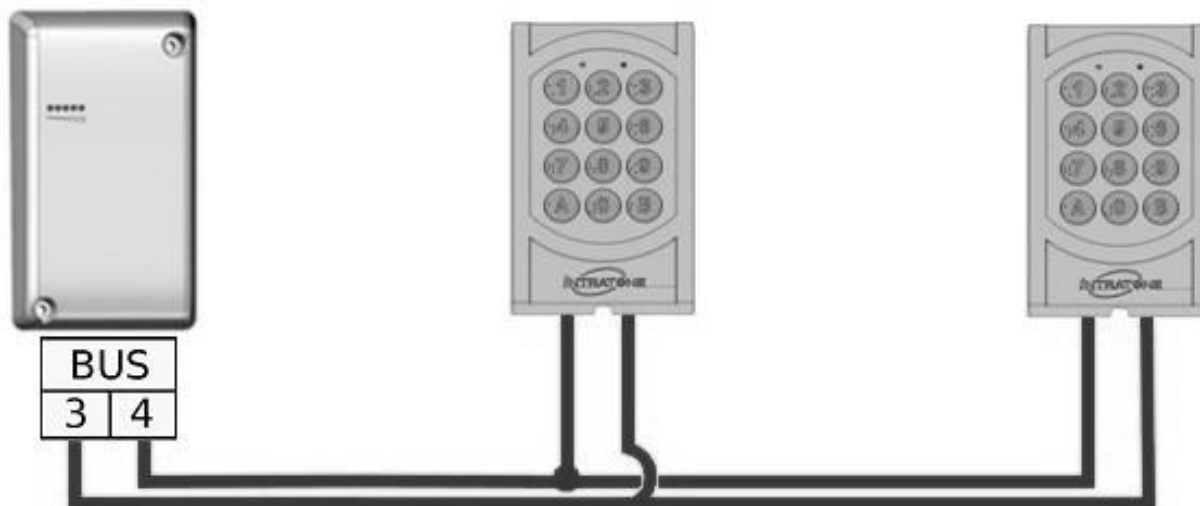
2-wire Data/Bus SELF-POWERED by the Mini RF GPRS V2 module Ø 0.5 mm 100 metres max



The code 2580 will open relay 1 until the product is updated for the first

ADDING OR REPLACING AN ADDITIONAL KEYPAD:

2 keypads = same access points / same codes.



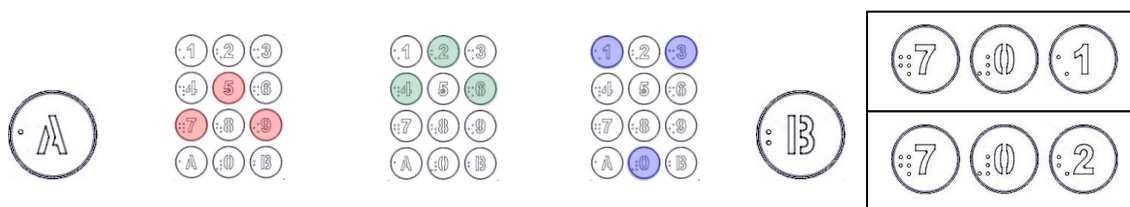
Switch the first keypad **off and on again** and enter this code:

A **759** **426** **103** **B** **701**

Switch the **second keypad** off and on again and enter this code:

A **759** **426** **103** **B** **702**

When the keypad is switched on, you have 1 minute to enter the code.



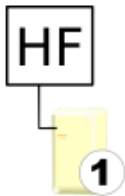
N.B. Nothing needs to be done on the management site. The new keypad will automatically operate in the same way as the previously registered one.

REGISTRATION ON THE MANAGEMENT SITE:

www.intratone.info 

N.B. If installing an Intrabox kit, ref. 06-0130 GPRS+Keypad, go directly to Step 3.

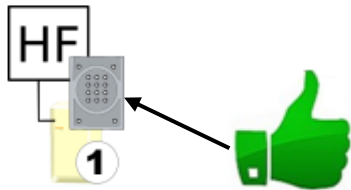
Step 1: Go to the residence icon  and click “Modify”. Select your residence, then select your access point.



Step 2: Click:

Coded keypad

 Add



Step 3: You can now create your “Codes”.


 Codes

Step 4: After creating your codes, consider upgrading your residence.

 Residences

 Update

TROUBLESHOOTING AND FAQ

Problem	Things to check
Is the keypad compatible with all MINI RF GPRS modules?	It is only compatible with the V2 version of the MINI RF GPRS system. At the back of the GPRS module, the barcode should begin with 2078 or, on the management site, check that the GPRS has the “add” keypad button.
No back-lighting and no LED lit when a key is pressed	Is the GPRS switched on? Is the keypad connected to the 3/4 BUS? Is there a short-circuit on the bus?
I have installed 2 keypads, but neither of them are working.	Enter the code A 759 426 103 B 701 on one keypad and A 759 426 103 B 702 on the other.
I am replacing one of the keypads.	
My codes do not work	In the “Residences” tab, the update status is  . Click the “Update” button for your residence.

Operating guarantees:

- The keypad is guaranteed to work at temperatures of between -20°C and +70°C and in relative humidity that does not exceed 70%.
- The detachable casing must be fitted to protect the module against water damage.
- The top and bottom of this keypad are to be positioned as indicated in these instructions.
- Never connect directly to the 220V supply (out of guarantee)
-

End-of-life recycling of the product:



The keypad must not be disposed of with unsorted waste, but must be collected for recycling as Electrical and Electronic Waste.

CERTIFICATE OF CONFORMITY OF A RADIO-ELECTRIC DEVICE
(R & TTE DIRECTIVE 1995/5/EC)

MANUFACTURER

Name: COGELEC SAS
Adress: 370 rue du Maunit
85290 Mortagne sur Sèvre
FRANCE

Telephone : +33 (0)2 51 65 05 79

Fax : +33 (0)2 51 63 05 96

Email : info@cogelec.fr

IDENTIFICATION OF THE DEVICE

Brand :



Trade name : CODED KEYPAD

Trade reference : 04-0107

Type : Surface-mounted coded keypad with 12 backlit keys to be connected to the GPRS Mini HF Module by Intratone

Intended application : Access control for apartment buildings

I, the undersigned, **Roger LECLERC** president of the company **COGELEC**
Declare under my sole responsibility that the product described above is in compliance with the essential applicable requirements of Directive 1999/5/EC:

- **Article 3.1a** (protection of health and safety of users):

Electrical safety standard applied: **EN 60950-1: 2006**

EMF standard applied: **EN 62311 : 2008 and EN 50371 : 2002**

- **Article 3.1b** (protection requirements regarding electromagnetic compatibility):

EMC standard applied: **EN 301 489-7 V1.3.1**

- **Article 3.2** (efficient use of the radio-electric spectrum to avoid harmful interference):

Radio standard applied: **EN301 511 V12.0.0 and EN 302 291-1 V1.1.1**

To this end, I declare that all radio tests have been performed.

Date : 04 Mai 2016

Signature :

370 rue du Maunit
85290 Mortagne sur Sèvre
FRANCE

SAS with a capital of: 437 490€ N.A.F Code: 2630Z Siret number : 433 034 782 000 22

V233 – 5022 – AB

Installation and Use of the Intratone Mini Keypad

CERTIFICATE OF CONFORMITY OF A RADIO-ELECTRIC DEVICE
(R & TTE DIRECTIVE 1995/5/EC)

MANUFACTURER

Name: COGELEC SAS
Adress: 370 rue du Maunit
85290 Mortagne sur Sèvre
FRANCE

Telephone : +33 (0)2 51 65 05 79

Fax : +33 (0)2 51 63 05 96

Email : info@cogelec.fr

IDENTIFICATION OF THE DEVICE

Brand :



Trade name : GRPS Mini HF Module
Trade reference : 17-0104
Type : GPRS and UHF (868Mhz) network communication module
Intended application : Access control for apartment buildings

I, the undersigned, **Roger LECLERC** president of the company **COGELEC**
Declare under my sole responsibility that the product described above is in compliance with the essential applicable requirements of Directive 1999/5/EC:

- **Article 3.1a** (protection of health and safety of users):

Electrical safety standard applied: **EN 60950-1: 2006**

EMF standard applied: **EN 62311 : 2008 and EN 50371 : 2002**

- **Article 3.1b** (protection requirements regarding electromagnetic compatibility):

EMC standard applied : **EN 301 489-7 V1.3.1 and EN 301 489-3 V1.6.1**

- **Article 3.2** (efficient use of the radio-electric spectrum to avoid harmful interference):

Radio standard applied: **EN301 511 V12.0.0 , EN 302 291-1 V1.1.1 and EN 300 220-2 V2.4.1**

To this end, I declare that all radio tests have been performed.

Date : 04 Mai 2016

Signature :

370 rue du Maunit
85290 Mortagne sur Sèvre
FRANCE

SAS with a capital of: 437 490€ N.A.F Code: 2630Z Siret number : 433 034 782 000 22

V233 - 5022 - AB

Installation and Use of the Intratone Mini Keypad