

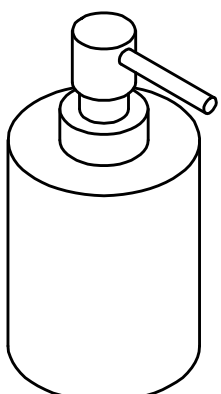
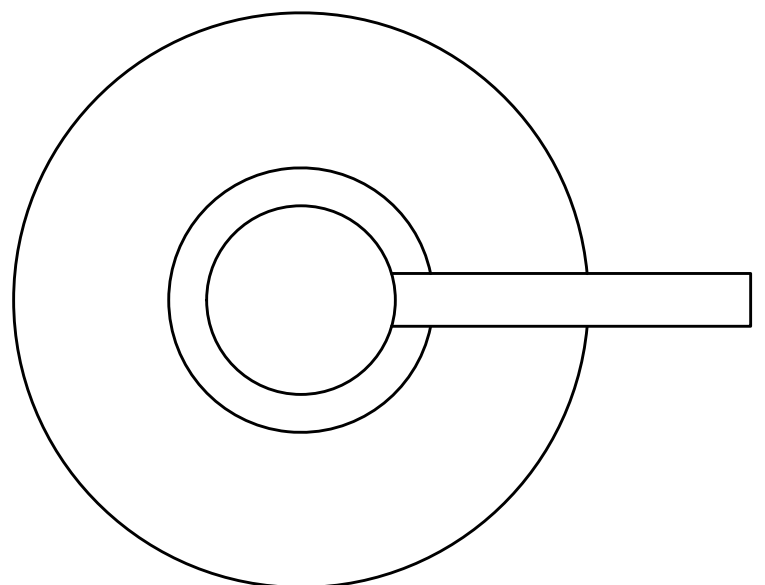
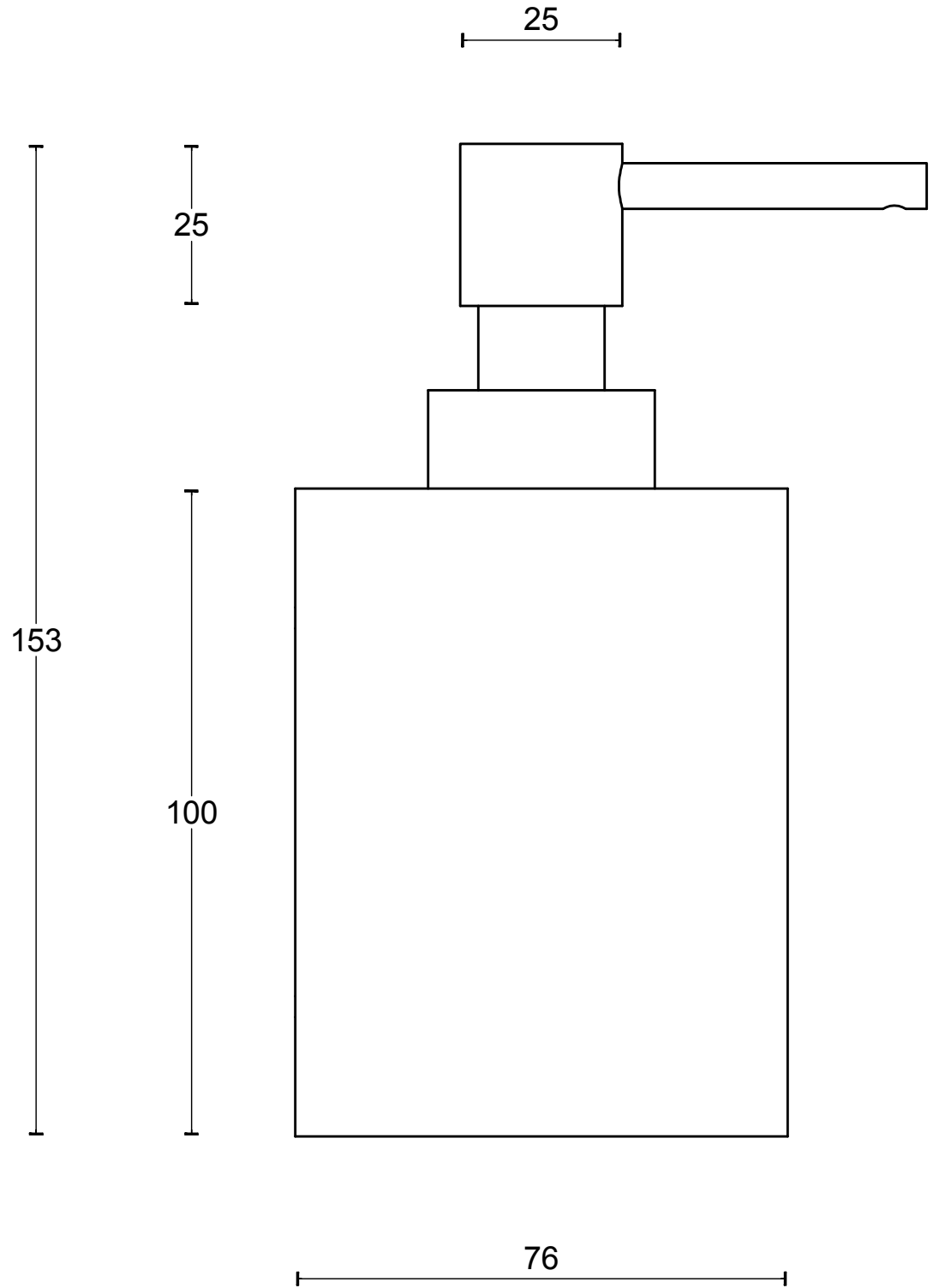
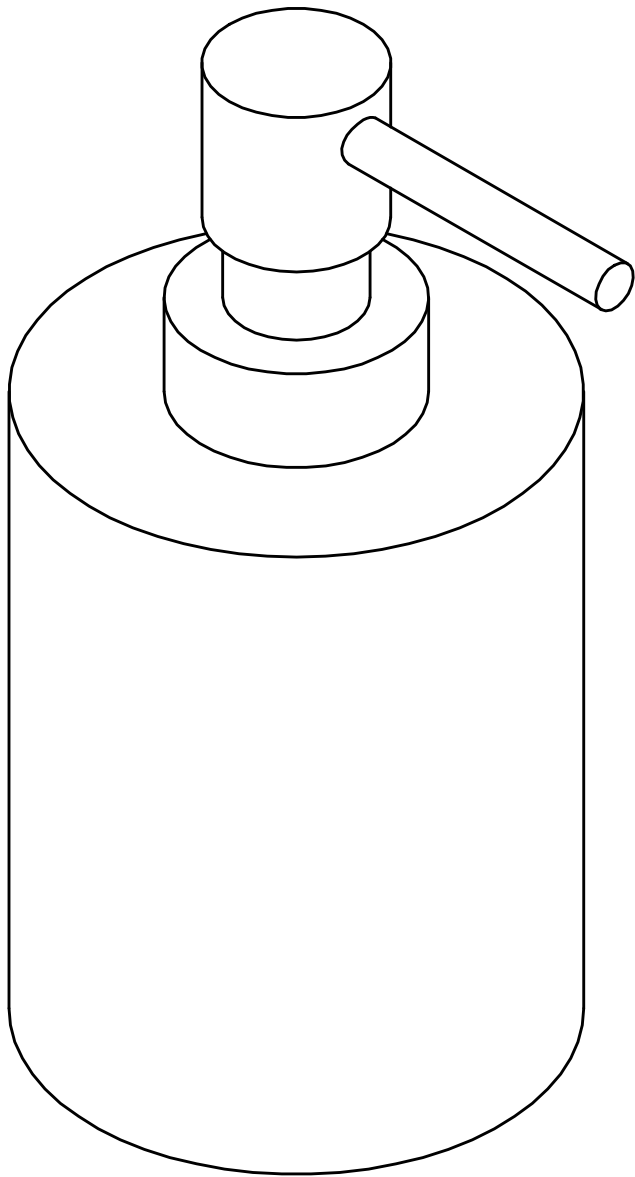
ONE PB500 dosificador de encimera acero inox mate AISI 316



| | |
|---------------------|--------------------------|
| Grupo de producto: | dispensador jabon |
| Colección: | ONE by PIET BOON |
| Diseñador: | Piet Boon |
| Acabado: | acero inox mate AISI 316 |
| Unidad: | pieza |
| Código de artículo: | 2706A042INXX0 |

PB500

soap dispenser
free standing
stainless steel AISI 316



| | | | |
|---|------------------------|--------------|-----------|
| FORMANI [®] | | Part number: | |
| | | Description: | |
| Doc no.: | 2706A042 PB500 V02.dwg | PB500 | Format: |
| Drawn by: | Christian Brimbois | | A3 |
| | Creation date: | 4-9-2017 | |
| FORMANI HOLLAND B.V. EUROPALAAN 12 6199 AB MAASTRICHT-AIRPORT NL T +31 (0)43 308 90 00 INFO@FORMANI.COM FORMANI.COM | | | |