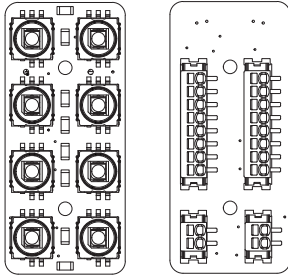


Technical Sheet



CONNECTOR DESCRIPTION

- Push-in spring connection (time saving and tools not required).
- Cable cross section:
0.14 mm² to 0.5 mm² (26 to 20 AWG)
ferrule needed if use flexible cable.

SPECIFICATION

Function: momentary action
Contact arrangement: SPST, N.O.

ELECTRICAL

Maximum power: 1.0 VA
Maximum voltage: 32 VDC
Minimum voltage: 20 mV
Maximum current: 50 mA
Minimum current: 1 mA
Dielectric strength: (50 Hz, 1 min.) ≥ 250 Vrms
Contact resistance: < 100mΩ
Insulation resistance: (100 V, initial stage) > 10⁹Ω
Bounce time: < 10 ms

ENVIRONMENTAL

Operating temperature: -40 °C to +85 °C
Storage temperature: -55 °C to +85 °C

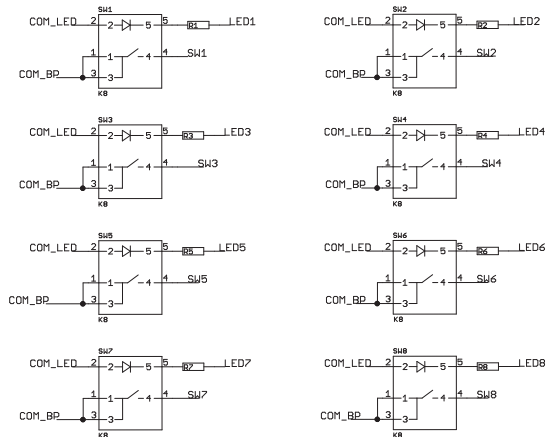
ELECTRICAL DIAGRAM CIRCUIT BOARD

LED1 1 LED1
LED2 2 LED2
LED3 3 LED3
LED4 4 LED4
LED5 5 LED5
LED6 6 LED6
LED7 7 LED7
LED8 8 LED8

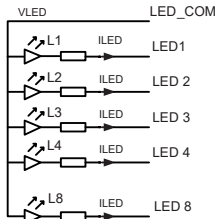
SW1 1 SWITCH1
SW2 2 SWITCH2
SW3 3 SWITCH3
SW4 4 SWITCH4
SW5 5 SWITCH5
SW6 6 SWITCH6
SW7 7 SWITCH7
SW8 8 SWITCH8

COM_LED 4 COM_LED1
COM_LED 2 COM_LED2

COM_BP 1 COM_SW1
COM_BP 2 COM_SW2

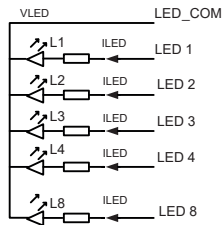


LED CONTROL



LED_COM = +V → LED 1 = +V ⇒ LED L1 is OFF
 LED 1 = 0V ⇒ LED L1 is ON

LED CONTROL use cathode common



LED_COM = 0V → LED 1 = 0V ⇒ LED L1 is OFF
 LED 1 = +V ⇒ LED L1 is ON

ILLUMINATED SMT TACT SWITCH WITH DEDICATED LED

EMITTED COLOR	LUMINOUS INTENSITY (mcd) If = 20 mA		CHROMATICITY COORDINATES OR PEAK WAVE LENGTH (typ) If = 20 mA		FORWARD VOLTAGE V If = 20 mA	
	min	typ	X	Y	min	max
WHITE	224	560	0.33	0.33	3	4.1
BLUE	56	140	465 mm		3	4.1
PURE GREEN	11.2	28	562 mm		1.8	2.4
SUPER RED	71	180	645 mm		1.8	2.3
ORANGE	112	280	610 mm		1.85	2.35