



## EK102-DK

herraje oscilobatiente sin llave

### Información del Producto

Code: 4003D003INXX0

Acabado: acero inox mate

UNIT: Juego

Colección: BOBBY

Designer: Eric Kuster

EAN code: 8718009419939

### BOBBY by Eric Kuster

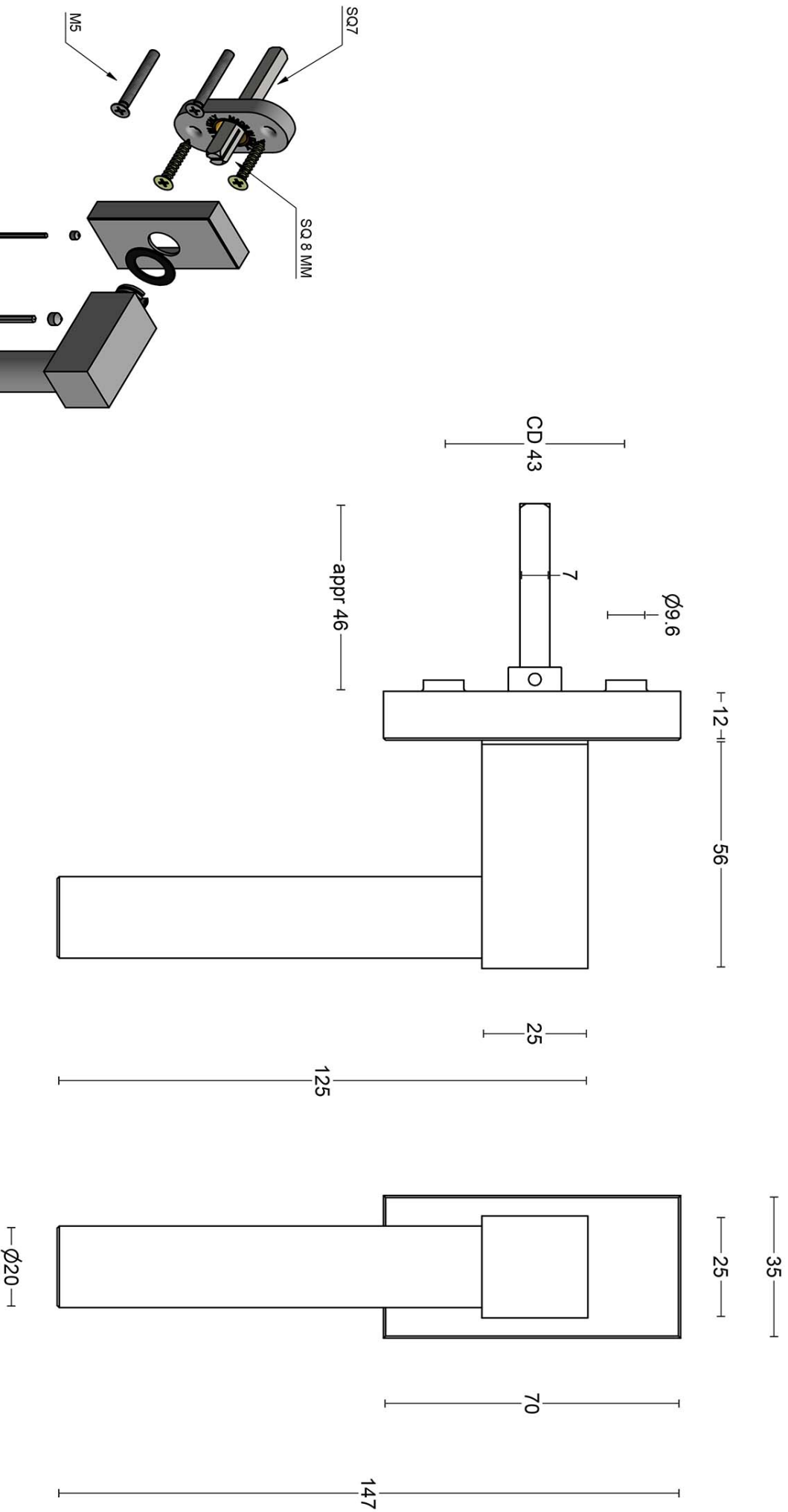
La serie BOBBY es un concepto total que consiste de herrajes para puertas, ventanas y muebles.

### Acabados

- bronce
- acero inox mate
- PVD mate negro

# BOBBY EK102-DK

non-locking tilt and turn  
window handle  
stainless steel



<p><b>FORMANI®</b></p> <p>FORMANI HOLLAND B.V. EUROPEAN UNIT 6199 AB MAASTRICHT-AIRPORT NL T +31 (0)43 308 90 00 INFO@FORMANI.COM WWW.FORMANI.COM</p>		Type:	<b>BOBBY EK102-DK</b>	Version:	V01
<p>Formani filename: 4003D003_EK102-DK_V01.dwg</p>		Description:	non-locking tilt and turn window handle stainless steel	Format:	A3
<p>Drawn by: Christian Birnbois</p>					
<p>Creation date: 14-6-2021</p>					

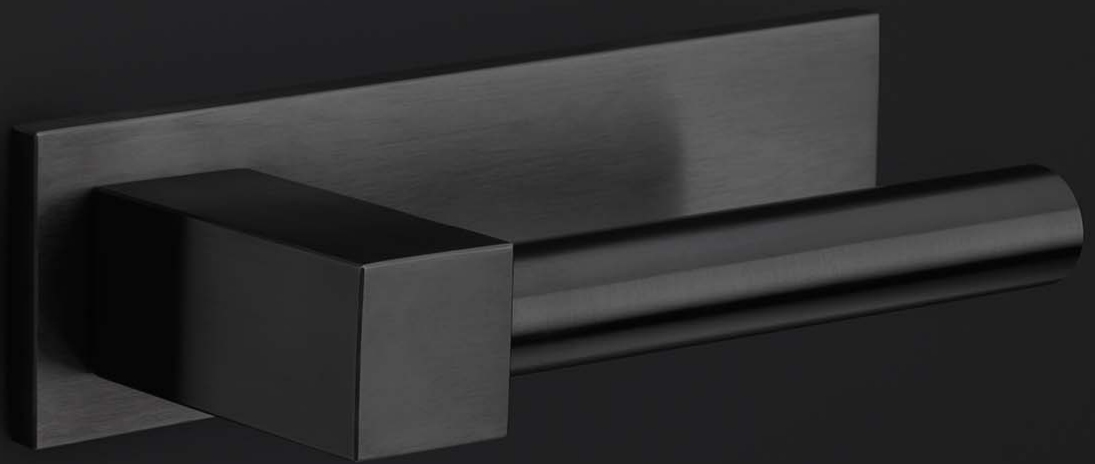
# BOBBY

by Eric Kuster

**The design of our BOBBY collection by Eric Kuster combines the elegance of round shapes with clean lines; it is an eye-catching combination in which the various elements are uniquely connected. The rectangular section of the door handle flows subtly, yet powerfully, into a rounded grip that is proportional to the horizontal plate that it is attached to. With every touch, the solid feel of steel transports you to elegance and luxury. The various shapes are simultaneously simple. In combination with the right materials, the BOBBY door handle is the perfect detail to any interior.**

# BOBBY

by Eric Kuster



FORMANI®



# Eric Kuster

Bunnik, 1966

Filosofía de diseño: Above all else, the chance to exceed expectations in everything I do.

**Top Dutch interior designer Eric Kuster's own label lives under the marque of Metropolitan Luxury. There could not be two words better suited to sit side-by-side and describe his inimitable style, which relies on the perfect balance of classic and contemporary, European and international. The design of our BOBBY collection by Eric Kuster combines the elegance of round shapes with clean lines; it is an eye-catching combination in which the various elements are uniquely connected. In combination with the right materials, the BOBBY door handle is the perfect detail to any interior.**

# Brand story

**FORMANI ha crecido mucho los últimos diez años. Ha pasado de ser una empresa familiar neerlandesa a ser una prestigiosa marca de diseño en todo el mundo. De manilla de puerta a concepto total. De desarrollo propio de productos a colaboraciones con diseñadores de prestigio. Este desarrollo gira, sobre todo, en torno a la ambición y la audacia. Además, el lema 'Obsessed with details' (obsesión por los detalles) caracteriza todo lo que hacemos. Del producto al proceso y de la estrategia al servicio. Puesto que son precisamente los detalles los que marcan la diferencia entre bien y perfecto. En FORMANI, 'lo meramente bueno es el enemigo de la perfección'..**

---

Formani Holland b.v.  
Europalaan 12  
6199 AB  
Maastricht-Airport

T: +31(0)43 308 9000  
E: info@formani.com

Numero de cámara de comercio:  
146 27 479

**FORMANI®**