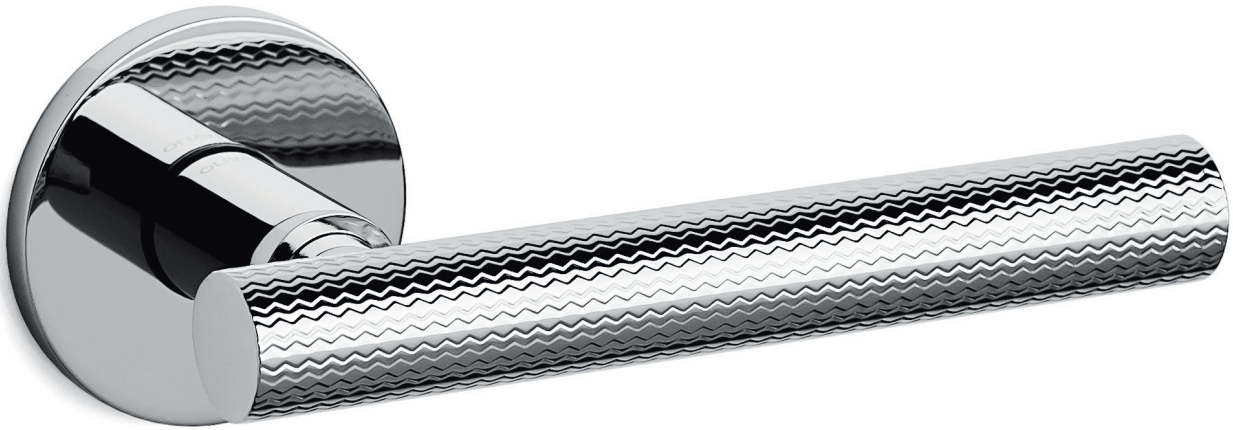


Atena Rank

Studio Olivari 2016



M1ARB



rosetta bassa/low rosette



C1AR

K1ARB

ottone/brass



CR cromo lucido/bright chrome



ZL superoro lucido/supergold bright



NL supenichel lucido/supernickel bright

